

LIGHTING CATALOG & SPOTLIGHT VEHICLE APPLICATION GUIDE

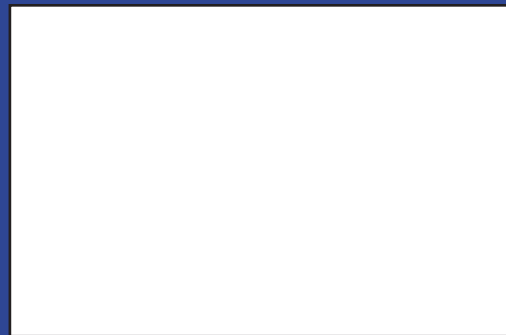
NO. 168-01

SUPERSEDES CATALOG 168-99



For more information, contact:
 UNITY MFG. COMPANY
 1260 N. Clybourn Ave.
 Chicago, IL 60610-1792
 1-312-943-5200
 1-312-943-5681 Fax
 E-Mail: sales@unityusa.com
 Web: unityusa.com

DISTRIBUTED BY:



A BRIGHT IDEA FOR ANY VEHICLE SM

UNITY [®]

LIGHTING CATALOG & SPOTLIGHT VEHICLE APPLICATION GUIDE

NO. 168-01

SUPERSEDES CATALOG 168-99



A BRIGHT IDEA FOR ANY VEHICLE SM

UNITY [®]



NITE EYES™	100MM, 510 SERIES	2	THE BEAM®	ROOFLIGHTS, 5" & 6" ROUND	13
	100MM, 3918, 3919 SERIES	3		DECKLIGHTS, 5" & 6" ROUND	14, 15
	5" ROUND, 520 SERIES	4		POST-MOUNT SPOTLIGHTS, INFO	16
	6" ROUND, 300 SERIES	5	UNITY®HID	POST-MOUNT SPOTLIGHTS	17, 18 & 20
	4"X6", 560, 570, 580, 590, 670, 690	6, 7	THE BEAM®	HOW TO INSTALL POST-MOUNT SPOTS	19
	CUSTOM FIT, H.D. TRUCK	8		340, 330, 325 SERIES	20
	COVERS, WIRING KITS, BRACKETS	9		250, 264 SERIES	21
	WORKLIGHTS	10		CUSTOM FIT DESCRIPTION	22
UNILIGHT™	HAND-HELD SPOTLIGHTS	11		HOW TO USE APPLICATION LISTING	23
UNIBEACON®	WARNING LIGHTS	12		TYPICAL LOCATIONS	23
				APPLICATION LISTINGS	24-52

PASSENGER CAR & TRUCK APPLICATIONS

PASSENGER CAR APPLICATIONS	TRUCK APPLICATIONS, cont.
ACURA	CHRYSLER
AUDI	DAF
BMW	DODGE
BUICK	FORD
CADILLAC	FREIGHTLINER
CHEVROLET	GEO
CHRYSLER	GMC
DAEWOO	GRUMMAN OLSON
DODGE	HINO
EAGLE	HONDA
FORD	INTERNATIONAL
GEO	ISUZU
HONDA	JEEP
HYUNDAI	KENWORTH
INFINITI	LAND ROVER
KIA	LEXUS
LEXUS	LINCOLN
MAZDA	MACK
MERCURY	MAZDA
MINI	MERCEDES-BENZ
MITSUBISHI	MERCURY
NISSAN	MITSUBISHI FUSO
OLDSMOBILE	MITSUBISHI
PLYMOUTH	OLDSMOBILE
PONTIAC	PETERBILT
SAAB	PLYMOUTH
SUBARU	PONTIAC
SUZUKI	STERLING
TOYOTA	SUZUKI
VOLKSWAGEN	TOYOTA
VOLVO	UD
TRUCK APPLICATIONS	UNION CITY BODY
ACURA	VOLKSWAGEN
AM GENERAL	VOLVO
AUTOCAR	WESTERN STAR
BERING	WHITE GMC
CADILLAC	
CHEVROLET	

IMPORTANT: This catalog is based on data accumulated through December, 2000. Additional information may be uncovered which may modify the data provided herein.

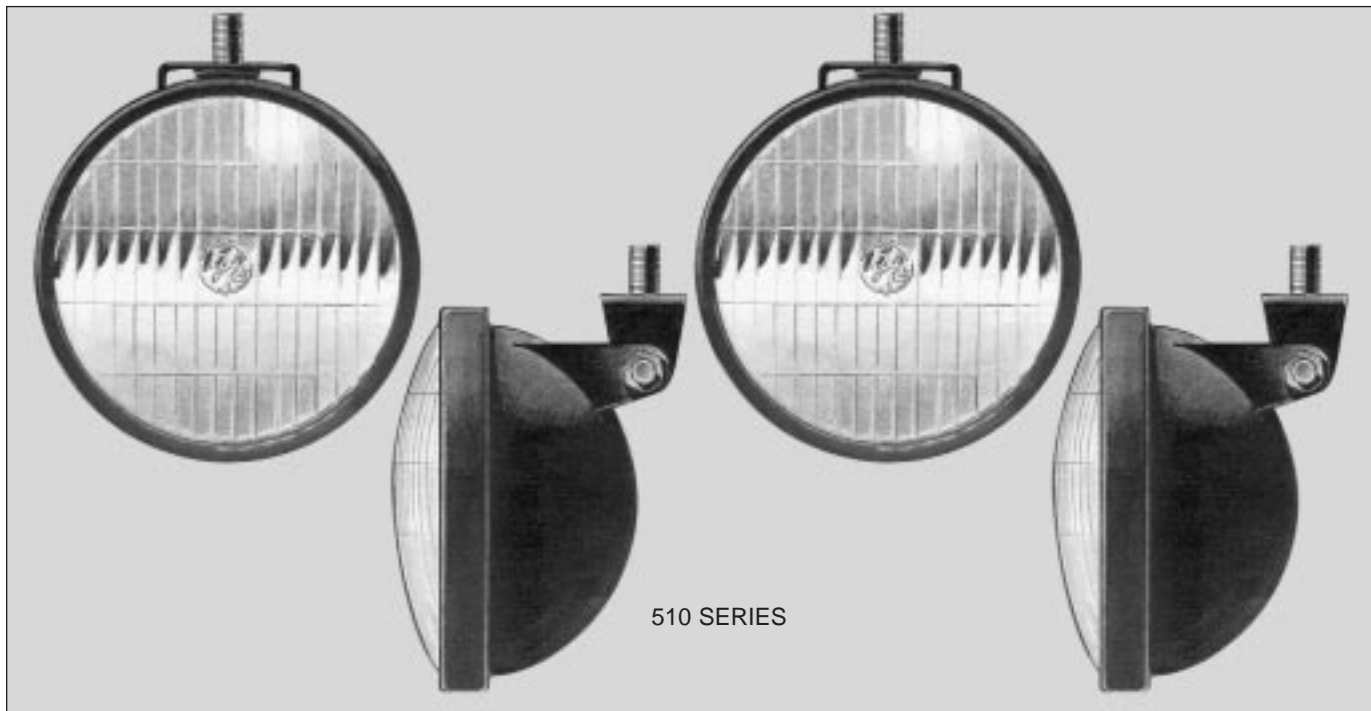
Each customer/installer MUST verify the application data on the template sheet that is included in their installation kit.

If the part numbers of the parts the customer/installer has are not EXACTLY the same as the part numbers contained in the information on the template sheet, the customer/installer should NOT proceed with the installation of the spotlight.

Failure to use the proper items could cause damage to the vehicle on which they were improperly installed, and even affect the safety of said vehicle.

This application guide contains a listing of ONLY those vehicles on which a "post-mount" spotlight can be installed, based on data available at the time of printing. Other makes, models and years not listed in this guide may later be available. Please contact UNITY for additional information.

100MM ROUND NITE-EYES™



NITE-EYES™ is a broad line of professional quality, competitively priced lights, which includes road lights for virtually any vehicle. Available in 100mm round, 5" round, 6" round and 4"x6" rectangular lights, NITE-EYES road lights include foglights, passing lights, driving lights and off-road lights.

The 100mm NITE-EYES comes in three series, 510, 3918 and 3919. The 510 series features a rugged steel housing with heavy-duty black MECHCOTE® finish, and a sealed beam lamp. The 3918 series features a high-heat plastic housing with a polycarbonate lens. The 3919 series features a zinc die-cast housing with a glass lens.

Classic 5" round NITE-EYES have rugged steel housings with brass bezels, finished in heavy-duty chrome plating. Classic 6" round NITE-EYES also have rugged housings, finished front and back in heavy-duty chrome plating. Multi-piece universal mounting brackets are furnished with both 5" and 6" classic round NITE-EYES.

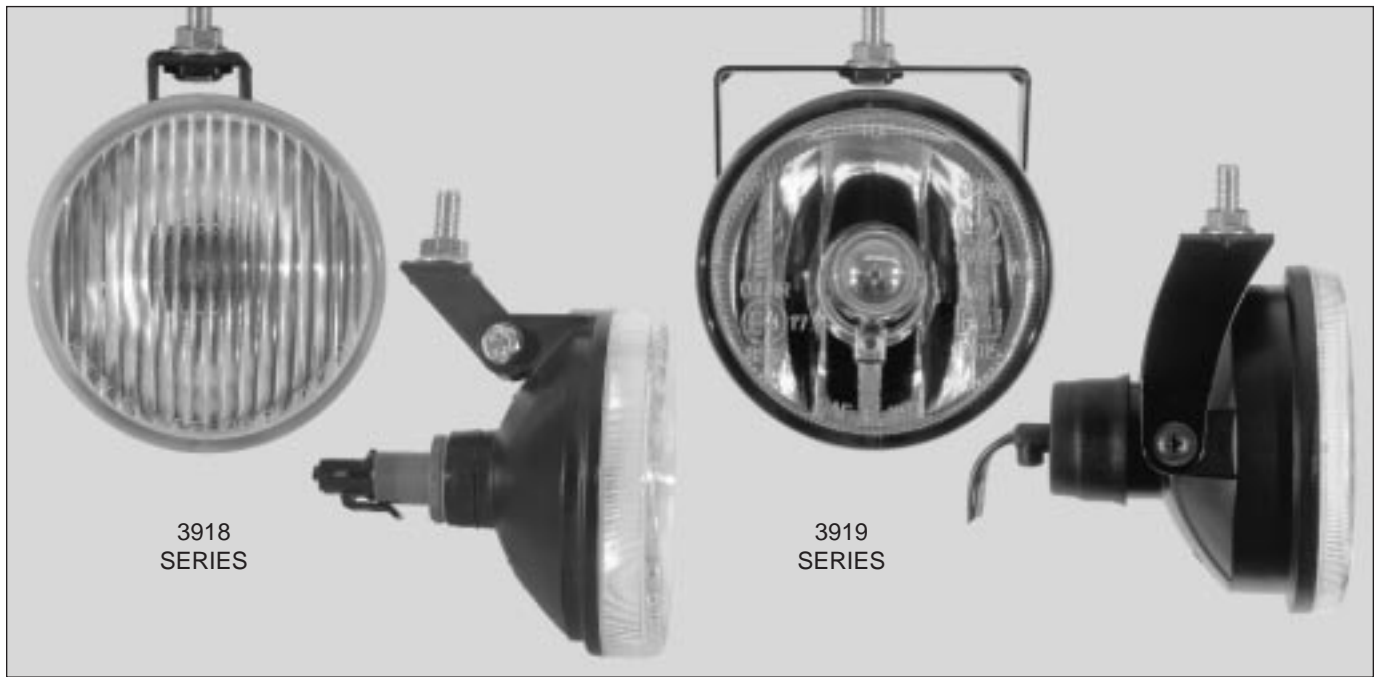
Designer styled 4"x6" rectangular NITE-EYES feature rugged ABS housings in either heavy-duty chrome plating or Nite-Black™ finish.

NITE-EYES FOGLIGHTS (SAE J583), either clear or amber, are designed to project a wide, flat beam that reduces reflected glare and penetrates fog, rain, snow or dust for greater visibility and added safety.

100 MM RD. NITE-EYES™ FOGLIGHTS	LAMP DESCRIPTION	FINISH	PKG.	MNTG. BRKT(S)	WIRING PAIR (SIN.)	PART NUMBER	
						SINGLE	PAIR
	<ul style="list-style-type: none"> • amber lamp no. U-4415A • 35 watts • 7,000 cp • 300 hrs. lamp life 	Black	Std.	4244-1	OEM Lead	511-1	—
	<ul style="list-style-type: none"> • clear lamp no. U-4415 • 35 watts • 9,000 cp • 300 hrs. lamp life 					512-1	—

NITE-EYES PASSING/AUXILIARY LOW BEAM LIGHTS (SAE J582) are engineered to provide supplemental lighting to low beam headlights. Their precise beams allow greater visibility and added safety under normal driving conditions.

100 MM RD. NITE-EYES™ PASSING LIGHTS	LAMP DESCRIPTION	FINISH	PKG.	MNTG. BRKT(S)	WIRING PAIR (SIN.)	PART NUMBER	
						SINGLE	PAIR
	<ul style="list-style-type: none"> • clear lamp no. U-4449 • 22,000 candlepower • 30 watts • 300 hrs. lamp life 	Black	Std.	4244-1	OEM Lead	513-1	—



NITE-EYES™ FOGLIGHTS (SAE J583), are designed to project a wide, flat beam that reduces reflected glare and penetrates fog, rain, snow or dust for greater visibility and added safety.

100 MM RD. NITE-EYES™ 3918 SERIES FOGLIGHTS	LAMP DESCRIPTION	FINISH	PKG.	MNTG. BRKT(S)	WIRING PAIR (SIN.)	PART NUMBER	
						SINGLE	PAIR
	<ul style="list-style-type: none"> • Clear foglight • U-893 Bulb • 37.5 watts • 8,000 CP • 200 hrs. lamp life 	Black	Std.	Incl.	OEM Lead	—	3918

NITE-EYES FOGLIGHTS (SAE J583), are designed to project a wide, flat beam that reduces reflected glare and penetrates fog, rain, snow or dust for greater visibility and added safety.

100 MM RD. NITE-EYES™ 3919 SERIES FOGLIGHTS	LAMP DESCRIPTION	FINISH	PKG.	MNTG. BRKT(S)	WIRING PAIR (SIN.)	PART NUMBER	
						SINGLE	PAIR
	<ul style="list-style-type: none"> • Clear foglight • H3 Bulb (U-H3-55) • 55 watts • 6,400 CP • 225 hrs. lamp life 	Black	Std.	Incl.	OEM Lead	3919- 0003	—

NITE-EYES DRIVING/AUXILIARY HIGH BEAM LIGHTS (SAE J581) are engineered to provide supplemental lighting to high beam headlights. They are for use when there is no opposing traffic and/or for rallying, racing or off-road use.

100 MM RD. NITE-EYES™ 3919 SERIES DRIVING LIGHTS	LAMP DESCRIPTION	FINISH	PKG.	MNTG. BRKT(S)	WIRING PAIR (SIN.)	PART NUMBER	
						SINGLE	PAIR
	<ul style="list-style-type: none"> • H3 Bulb (U-H3-55) • 55 watts • 56,000 CP • 225 hrs. lamp life 	Black	Std.	Incl.	OEM Lead	3919- 0004	—

5" ROUND NITE-EYES™



NITE-EYES™ FOGLIGHTS (SAE J583), either clear or amber, are designed to project a wide, flat beam that reduces reflected glare and penetrates fog, rain, snow or dust for greater visibility and added safety.

5" RD. NITE EYES™ FOGLIGHTS	LAMP DESCRIPTION	FINISH	PKG.	MNTG. BRKT(S)	WIRING PAIR (SIN.)	PART NUMBER	
						SINGLE	PAIR
	<ul style="list-style-type: none"> • amber lamp no. U-4415A • 35 watts • 7,000 cp • 300 hours lamp life 	Chrome	Std.	9929(2)	Standard	520A	520AP
			Retail	9929(2)	Standard	—	531-2
	<ul style="list-style-type: none"> • clear lamp no. U-4415 • 35 watts • 9,000 cp • 300 hours lamp life 	Chrome	Std.	9929(2)	Standard	520C	520CP
			Retail	9929(2)	Standard	—	533-2
				9929(2)	Deluxe 3674	—	521-2
					Deluxe 3674	—	523-2

NITE-EYES PASSING/AUXILIARY LOW BEAM LIGHTS (SAE J582) are engineered to provide supplemental lighting to low beam headlights. Their precise beams allow greater visibility and added safety under normal night driving conditions.

5" RD. NITE EYES™ PASSING LIGHTS	LAMP DESCRIPTION	FINISH	PKG.	MNTG. BRKT(S)	WIRING PAIR (SIN.)	PART NUMBER	
						SINGLE	PAIR
	<ul style="list-style-type: none"> • clear lamp no. U-4449 • 30 watts • 22,000 cp • 300 hours lamp life 	Chrome	Std.	9929(2)	Standard	520C- 4449	520CP- 4449

NITE-EYES OFF-ROAD LIGHTS, are **not** legal for use on public streets or highways. They feature high-intensity, specially-focused beams that enable you to see in the darkest rural areas.

5" RD. NITE EYES™ OFF-ROAD LIGHTS	LAMP DESCRIPTION	FINISH	PKG.	MNTG. BRKT(S)	WIRING PAIR (SIN.)	PART NUMBER	
						SINGLE	PAIR
	<ul style="list-style-type: none"> • clear lamp no. U-4509 • 100 watts • 110,000 cp • 25 hours lamp life 	Chrome	Std.	9929(2)	Standard	520SC	520SCP
			Retail		3674 Deluxe	—	526-2
	MULTI-FUNCTION HOUSINGS ONLY : APPLICATIONS				FINISH	SINGLE PART NO.	
	• 5" Diameter less lamp, for SAE FOWYZ				Chrome	3908	



NITE-EYES™ FOGLIGHTS (SAE J583), either clear or amber, are designed to project a wide, flat beam that reduces reflected glare and penetrates fog, rain, snow or dust for greater visibility and added safety.

6" RD. NITE EYES™ FOGLIGHTS	LAMP DESCRIPTION	FINISH	PKG.	MNTG. BRKT(S)	WIRING PAIR (SIN.)	PART NUMBER	
						SINGLE	PAIR
	<ul style="list-style-type: none"> • amber lamp no. U-4412A • 35 watts • 8,800 cp • 300 hours lamp life 	Chrome	Std.	9929(2)	Standard	300A	300AP
			Retail	9929(2)	Standard	—	311-2
	<ul style="list-style-type: none"> • clear lamp no. U-4412 • 35 watts • 11,000 cp • 300 hours lamp life 	Chrome	Std.	9929(2)	Standard	300C	300CP
			Retail	9929(2)	Deluxe 3674	—	303-2

NITE-EYES OFF-ROAD LIGHTS, are **not** legal for use on public streets or highways. They feature high-intensity, specially-focused beams that enable you to see in the darkest rural areas.

6" RD. NITE EYES™ OFF-ROAD LIGHTS	LAMP DESCRIPTION	FINISH	PKG.	MNTG. BRKT(S)	WIRING PAIR (SIN.)	PART NUMBER	
						SINGLE	PAIR
	<ul style="list-style-type: none"> • clear lamp no. U-4537-2 • 100 watts • 200,000 cp • 25 hours lamp life 	Chrome	Std.	9929(2)	Std.	300SC	300SCP
			Retail	9929(2)	3674 Deluxe	—	305-2
	<ul style="list-style-type: none"> • clear lamp no. U-4049 • 150 watts • 300,000 cp • 15 hours lamp life 	Chrome	Std.	9929(2)	Std.	300C-4049	300CP-4049
			Retail	9929(2)	3674 Deluxe	—	302-2
			Retail	9929(2)	Std.	—	312-2

	NITE-EYES HOUSINGS			
	MULTI-FUNCTION HOUSINGS ONLY : APPLICATIONS		FINISH	SINGLE PART NO.
	• 6" Diameter less lamp, for SAE FOWYZ		Chrome	8808

4" x 6" NITE-EYES™

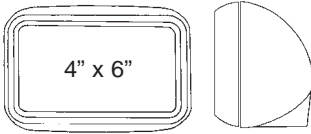



NITE-EYES™ FOGLIGHTS (SAE J583), either clear or amber, are designed to project a wide, flat beam that reduces reflected glare and penetrates fog, rain, snow or dust for greater visibility and added safety.

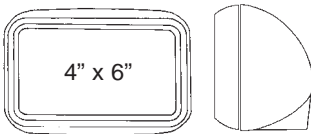

4" x 6" NITE-EYES™ FOGLIGHTS	LAMP DESCRIPTION	FINISH	PKG.	MNTG. BRKT(S)	WIRING PAIR (SIN.)	PART NUMBER		
						SINGLE	PAIR	
<p>560, 570 & 670 SERIES: CHROME</p> <p>580, 590 & 690 SERIES: NITE-BLACK™</p>	<ul style="list-style-type: none"> • amber halogen lamp no. U-H9415A • 37.5 watts • 9,600 candlepower • 200 hours lamp life 	Chrome	Std.	Stud	(OEM Lead)	—	—	
				3605(2)	Standard	561-1	561-2	
			Retail	3605(2)	Standard	—	671-2	
		Black	<ul style="list-style-type: none"> • clear halogen lamp no. U-H9415 • 37.5 watts • 12,000 candlepower • 200 hours lamp life 	Std.	Stud	(OEM Lead)	36003	—
					3605(2)	Standard	—	581-2
				Retail	3605(2)	Standard	—	691-2
	Chrome	Std.		Stud	(OEM Lead)	—	—	
				3605(2)	Standard	562-1	562-2	
		Retail		3605(2)	Standard	—	672-2	
	Black	Std.	Stud	(OEM Lead)	36004	—		
3605(2)			Standard	582-1	582-2			
Retail		3605(2)	Standard	—	692-2			
		3605(2)	Deluxe 3674	—	592-2			
<p>4" x 6" Housing</p>	MULTI-FUNCTION HOUSINGS ONLY : APPLICATIONS				FINISH	PART NO. SINGLE		
	• 4" x 6" rectangular housing less lamp, for use with SAE FOYZ				Chrome	560-1		
				Black	580-1			



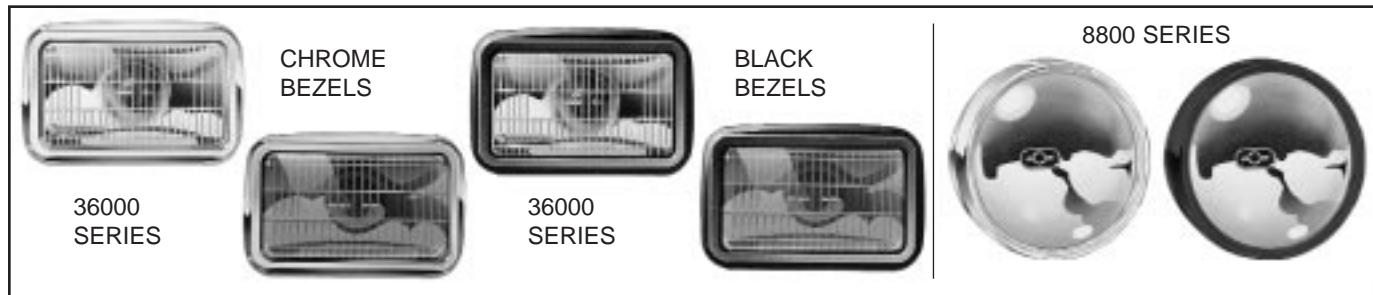
NITE-EYES™ DRIVING/AUXILIARY HIGH BEAM LIGHTS (SAE J581) project a long, narrow beam that extends beyond the range of high-beam headlights. They are for use when there is no opposing traffic and/or for racing, rallying or off-road use.

4" x 6" NITE-EYES™ DRIVING/AUX. HIGH BEAMS	LAMP DESCRIPTION	FINISH	PKG.	MNTG BRKT(S)	WIRING PAIR (SIN.)	PART NUMBER	
						SINGLE	PAIR
 	<ul style="list-style-type: none"> • clear halogen driving lamp no. U-H9420 • 50 watts • 50,000 candlepower • 200 hours lamp life 	Chrome	Std.	Stud	(OEM Lead)	—	—
				3605(2)	Standard	563-1	563-2
			Retail	3605(2)	Standard	—	673-2
					Deluxe 3674	—	573-2
		Black	Std.	Stud	(OEM Lead)	36005	—
				3605(2)	Standard	583-1	583-2
Retail	3605(2)	Standard	—	693-2			
		Deluxe 3674	—	593-2			

NITE-EYES OFF-ROAD LIGHTS, are **not** legal for use on public streets or highways. They feature high-intensity, specially-focused beams that enable you to see in the darkest rural areas.

4" x 6" NITE-EYES™ OFF-ROAD LIGHTS	LAMP DESCRIPTION	FINISH	PKG.	MNTG BRKT(S)	WIRING PAIR (SIN.)	PART NUMBER	
						SINGLE	PAIR
 	<ul style="list-style-type: none"> • clear halogen lamp no. U-H9405 • 50 watts • 100,000 candlepower • 100 hours lamp life 	Chrome	Std.	Stud	(OEM Lead)	—	—
				3605(2)	Standard	564-1	564-2
			Retail	3605(2)	Standard	—	674-2
					Deluxe 3674	—	574-2
		Black	Std.	Stud	(OEM Lead)	—	—
				3605(2)	Standard	584-1	584-2
Retail	3605(2)	Standard	—	694-2			
		Deluxe 3674	—	594-2			

CUSTOM-FIT NITE-EYES™ FOR H.D. TRUCKS



H.D. TRUCK APPLICATIONS	LAMP TYPE	HOUSING/BEZEL FINISH	WIRE LEAD	STD. PKG. QTY.	UNITY PART NO.
FREIGHTLINER CENTURY, CLASSIC, FLC, FLD; INTERNATIONAL 2000 SERIES, 8000 SERIES, KENWORTH T300, T600, T800, W900; MACK ALL EXCEPT CH AND R MODEL IN BUMPER	AMBER FOG	BLACK W/BLACK BEZEL	PACKARD 2 WIRE	12	36003
	CLEAR FOG	BLACK W/BLACK BEZEL	PACKARD 2 WIRE	12	36004
	DRIVING	BLACK W/BLACK BEZEL	PACKARD 2 WIRE	12	36005
VOLVO VN	CLEAR FOG	BLACK W/BLACK BEZEL	PACKARD 2 WIRE	12	36032
	DRIVING	BLACK W/BLACK BEZEL	PACKARD 2 WIRE	12	36033
PETERBILT 387	CLEAR FOG	BLACK W/CHROME BEZEL	PACKARD 2 WIRE	12	36056
	DRIVING	BLACK W/CHROME BEZEL	PACKARD 2 WIRE	12	36057
FREIGHTLINER CENTURY, CLASSIC, FLC, FLD; INTERNATIONAL 2000 SERIES, 8000 SERIES, KENWORTH T300, T600, T800, W900; MACK ALL EXCEPT CH AND R MODEL IN BUMPER	AMBER FOG	BLACK W/CHROME BEZEL	PACKARD 2 WIRE	12	36058
	CLEAR FOG	BLACK W/CHROME BEZEL	PACKARD 2 WIRE	12	36059
	DRIVING	BLACK W/CHROME BEZEL	PACKARD 2 WIRE	12	36060
PETERBILT ALL EXCEPT 387 (1 WIRE THROUGH 1999)	AMBER FOG	BLACK W/BLACK BEZEL	PACKARD 1 WIRE	12	36061
	CLEAR FOG	BLACK W/BLACK BEZEL	PACKARD 1 WIRE	12	36062
	DRIVING	BLACK W/BLACK BEZEL	PACKARD 1 WIRE	12	36063
PETERBILT ALL EXCEPT 387 (1 WIRE THROUGH 1999)	AMBER FOG	BLACK W/CHROME BEZEL	PACKARD 1 WIRE	12	36064
	CLEAR FOG	BLACK W/CHROME BEZEL	PACKARD 1 WIRE	12	36065
	DRIVING	BLACK W/CHROME BEZEL	PACKARD 1 WIRE	12	36066
WESTERN STAR	AMBER FOG	BLACK W/BLACK BEZEL	PACKARD 2 WIRE	12	36067
	CLEAR FOG	BLACK W/BLACK BEZEL	PACKARD 2 WIRE	12	36068
	DRIVING	BLACK W/BLACK BEZEL	PACKARD 2 WIRE	12	36069
PETERBILT ALL EXCEPT 387 (TWO WIRE LEAD 2000 & BEYOND)	CLEAR FOG	BLACK W/CHROME BEZEL	PACKARD 2 WIRE	12	36070
	DRIVING	BLACK W/CHROME BEZEL	PACKARD 2 WIRE	12	36071
KENWORTH T2000	CLEAR FOG	CHROME W/CHROME BEZEL	PACKARD 2 WIRE	6	8815-0003
	CLEAR FOG	BLACK W/CHROME BEZEL	PACKARD 2 WIRE	6	8815-0004
	CLEAR FOG	BLACK W/BLACK BEZEL	PACKARD 2 WIRE	6	8815-0005

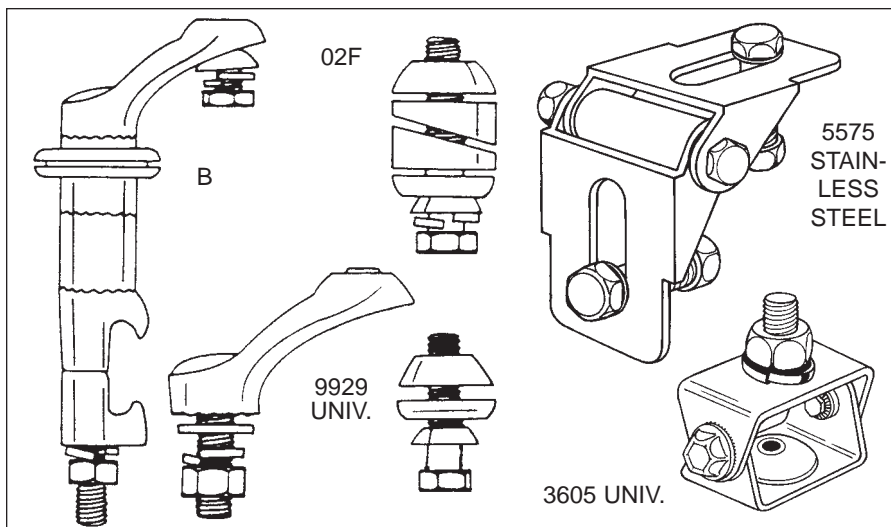


NITE-EYES™ ROAD LIGHT COVERS & WIRING KIT



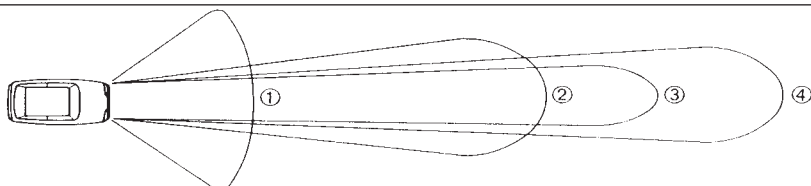
LIGHT COVERS FOR NITE-EYES™ , THE BEAM® & UNILITE™	PART NO.
	SINGLE
5" diameter cover fits all 5" NITE-EYES™ road lights and 5" THE BEAM® spotlights, rooflights, and decklights, and UNILITE™.	3085
6" diameter cover fits all 6" NITE-EYES™ road lights and 6" THE BEAM® spotlights, rooflights, and decklights.	3086
4"x6" rectangular cover fits all 4"x6" NITE-EYES™ road lights and 4"x6" THE BEAM® spotlights and rooflights.	3087
NITE-EYES™ WIRING KIT	PART NO.
This deluxe wiring kit, which contains everything needed to wire a pair of universal mount road lights, comes in retail-oriented poly-bagged display packaging. It includes: color coded wiring harness; 10, 20 & 30 amp fuses; fuse holder assembly; relay and connector; switch and switch panel; all necessary terminals, splices, wire-ties and screws, and complete installation instructions.	3674

NITE-EYES™ BRACKETS



NITE-EYES™ ROAD LIGHT BRACKETS	PART NO.
	SINGLE
4"x6" rectangular NITE-EYES™ include #3605 universal bracket(s).	3605
5" and 6" round NITE-EYES™ include #9929 universal bracket(s).	9929
All NITE-EYES™ brackets are available separately to accommodate custom and/or classic applications.	B
	02F
	5575

NITE-EYES™ BEAM PATTERNS

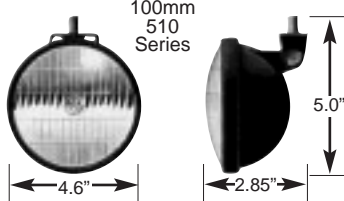
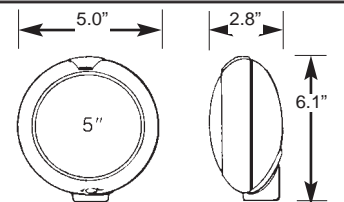
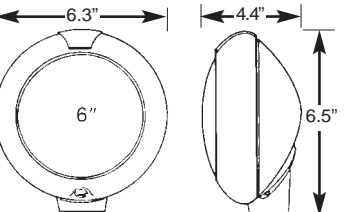
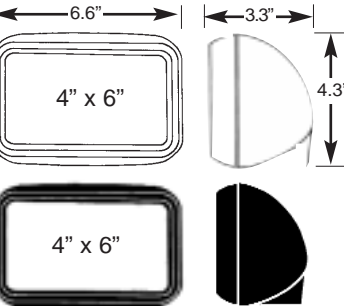


- ① FOGLIGHTS (either clear or amber) are designed to project a wide, flat beam that reduces reflected glare and penetrates fog, rain, snow or dust for greater visibility and added safety.
- ② HEADLIGHTS project a narrower, longer beam suitable for normal night driving conditions.
- ③ PASSING LIGHTS are engineered to provide supplemental lighting to low-beam headlights. Their precise beams allow greater visibility and added safety under normal night driving conditions.

④ DRIVING LIGHTS project a long, narrow beam that extends beyond the range of high-beam headlights. They are for use when there is no opposing traffic and/or for racing, rallying or off-road use.

NOTE: OFF-ROAD LIGHTS are **not** legal for use on public streets or highways. They feature high-intensity, specially-focused beams that enable you to see in the darkest rural areas.



NITE-EYES™ WORKLIGHTS	LAMP DESCRIPTION	HOUSING FINISH	PKG. TYPE	PART NUMBER	
				SINGLE	PAIR
 <p>100mm 510 Series</p>	<ul style="list-style-type: none"> • clear narrow flood lamp no. U-4406 • 35 watts • 600 cp • 300 hours lamp life 	Black	Std.	515-1	—
	<ul style="list-style-type: none"> • clear narrow flood lamp no. U-4411 • 35 watts • 3,000 cp • 300 hours lamp life 	Black	Std.	516-1	—
	<ul style="list-style-type: none"> • clear wide flood lamp no. U-H7606 • 50 watts • 1,000 cp • 400 hours lamp life 	Black	Std.	517-1	—
	<ul style="list-style-type: none"> • clear halogen flood lamp no. U-H7610 • 50 watts • 5,200 cp • 400 hours lamp life 	Black	Std.	518-1	—
	<ul style="list-style-type: none"> • clear narrow flood lamp no. U-4411 • 35 watts • 3,000 cp • 300 hours lamp life 	Chrome	Std.	520C-4411	—
	<ul style="list-style-type: none"> • clear halogen flood lamp no. U-H7610 • 50 watts • 5,200 cp • 400 hrs. lamp life • pushbutton switch w/waterproof boot 	Chrome	Retail	3907	—
	<ul style="list-style-type: none"> • clear narrow flood lamp no. U-4419 • 35 watts • 1,600 cp • 300 hours lamp life 	Chrome	Std.	300C-4419	—
	<ul style="list-style-type: none"> • clear halogen flood lamp no. U-H7619 • 50 watts • 6,000 cp • 400 hrs. lamp life • pushbutton switch w/waterproof boot 			8807	—
	<ul style="list-style-type: none"> • clear halogen lamp no. U-H9411 • 50 watts • 5,400 candlepower • 400 hours lamp life 	Chrome	Std.	565-1	565-2
		Nite-Black™	Std.	585-1	585-2



UNILITE™ HAND-HELD SPOTLIGHTS



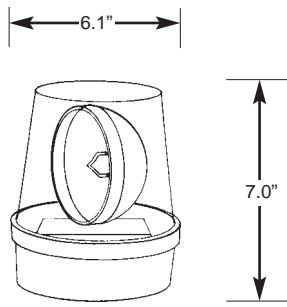
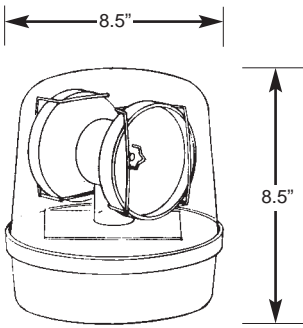
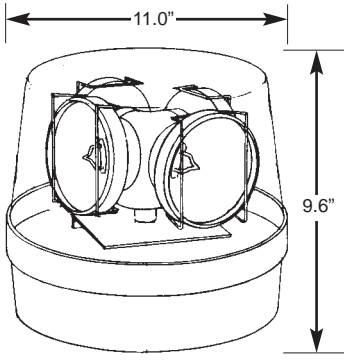
UNILITE™ hand-held spotlights provide top quality, weatherproof, reliable, portable lighting for any vehicle. The rugged, chrome-plated, die-cast zinc housing includes a convenient built-in hanger. Available with either a 33,000 or halogen 100,000 candlepower lamp, a standard on-off switch or a special momentary switch, and either a 10' straight or a 12 1/2' coiled cord. Model 7513 comes without a plug, and is designed to be hard-wired to the vehicle. All other models include a plug, which fits any vehicle's cigarette lighter receptacle, and allows the user to store their UNILITE in the glove compartment. UNILITE comes in colorful retail packaging.

UNILITE™ HAND-HELD SPOTLIGHTS	LAMP DESCRIPTION	HOUSING FINISH	SWITCH TYPE	CORD TYPE	PART NUMBER
<p>8.1"</p> <p>772 SERIES: 5" ROUND</p>	<ul style="list-style-type: none"> • clear spotlight lamp no. U-7400-1 • 35 watts • 33,000 candlepower • 300 hours lamp life 	Chrome	Standard On-Off	10' Straight	772
				12 1/2' Coiled	772K12
			Momentary	10' Straight	772S
				12 1/2' Coiled	772SK12
	<ul style="list-style-type: none"> • clear halogen spotlight lamp no. U-H7604 • 50 watts • 100,000 candlepower • 100 hours lamp life 	Chrome	Standard On-Off	10' Straight	772-H
				12 1/2' Coiled	772K12-H
			Momentary	10' Straight	772S-H
				12 1/2' Coiled	7513
				12 1/2' Coiled	772SK12-H
				12 1/2' Coiled	772SK12-H

UNIBEACON™ WARNING LIGHTS (SAE J845)



UNIBEACON™ classic rotating warning lights are available in 5" diameter single, two and four lamp models, with either incandescent or halogen lamps. The RV15 series is available with either standard permanent mounting, or magnetic mounting with a 10' cord that plugs into any standard vehicle cigarette lighter receptacle. It features a chrome plated base with a LEXAN® dome, available in amber, blue and red. RV25 and RV45 series are available with standard permanent mounting, and feature stainless steel bases with LEXAN® domes available in amber, blue and red. All UNIBEACON lights feature a continuous duty enclosed motor with direct drive and a protective slip clutch.

UNIBEACON™ WARNING LIGHTS	LAMP DESCRIPTION	MOUNTING	DOME/LENS COLOR	PART NUMBER
 <p>RV15 SERIES (1) 5" ROUND</p>	<ul style="list-style-type: none"> • (1) clear incandescent lamp no. U-7400-1 • 35 watts • 33,000 candlepower • 90 flashes per minute • glare shield for dash mount included 	STANDARD PERMANENT	AMBER	RV15A
			BLUE	RV15B
			RED	RV15R
		MAGNETIC W/10' CORD	AMBER	RV15AM
			BLUE	RV15BM
			RED	RV15RM
	<ul style="list-style-type: none"> • (1) clear halogen lamp no. U-H7600 • 37.5 watts • 60,000 candlepower • 90 flashes per minute • glare shield for dash mount included 	STANDARD PERMANENT	AMBER	RV15A-H
			BLUE	RV15B-H
		MAGNETIC W/10' CORD	RED	RV15R-H
			AMBER	RV15AM-H
 <p>RV25 SERIES (2) 5" ROUND</p>	<ul style="list-style-type: none"> • (2) clear incandescent lamps no. U-7400-1 • 35 watts each • 33,000 candlepower ea. • 100 flashes per minute • glare shield for dash mount included 	STANDARD PERMANENT	AMBER	RV25A
			BLUE	RV25B
			RED	RV25R
	<ul style="list-style-type: none"> • (2) clear halogen lamps no. U-H7600 • 37.5 watts ea. • 60,000 candlepower ea. • 100 flashes per minute 	STANDARD PERMANENT	AMBER	RV25A-H
			BLUE	RV25B-H
			RED	RV25R-H
 <p>RV45 SERIES (4) 5" ROUND</p>	<ul style="list-style-type: none"> • (4) clear incandescent lamps no. U-7400-1 • 35 watts each • 33,000 candlepower ea. • 100 flashes per minute with longer dwell per flash 	STANDARD PERMANENT	AMBER	RV45A
			BLUE	RV45B
			RED	RV45R
			<ul style="list-style-type: none"> • (4) clear halogen lamps no. U-H7600 • 37.5 watts ea. • 60,000 candlepower ea. • 100 flashes per minute with longer dwell per flash 	STANDARD PERMANENT
	BLUE	RV45B-H		
	RED	RV45R-H		
	AMBER	RV45A		

FLASHER KIT	Includes flasher, flasher bracket, switch, wiring, and instructions to connect two lights for either alternating or unison flashing.		5588
PART NO. PM-1	Pipe-Mount Bracket for RV15, RV25	PART NO. 2784	Magnetic Mounting Kit for RV15
PART NO. SL-1	Self-Leveling Bracket for RV15, RV25	PART NO. 2790	Magnetic Mounting Kit for RV25



THE BEAM® ROOFLIGHTS (SAE J591)

Instant-aimable light, when and where you want it. The interior control handle, with finger-tip switch, provides both safety and convenience. THE BEAM® rooflights feature 360° continuous vertical rotation and 180° horizontal adjustment. Available in 5" round and 6" round models, with an 'O' ring, leak-proof design. Both models are available with either 'standard' 2 3/4" roof clearance (measured from top of roof surface to bottom of headliner) or 'shorty' 3/4" roof clearance (which is designed for vehicles with flush or no headliner). Easily installed, each unit comes complete with a universal mounting bracket no. 2874, template, and installation instructions.

THE BEAM® ROOFLIGHTS	TYPE	LAMP DESCRIPTION	HOUSING FINISH	ROOF CLEAR.	PART NUMBER
<p>5" STANDARD 6" SHORTY</p>	5" Spot	<ul style="list-style-type: none"> • clear halogen lamp no. U-H7604 • 50 watts • 100,000 candlepower • 100 hours lamp life 	Chrome	2 3/4"	U250-H
				3/4"	U250R-H
	6" Spot	<ul style="list-style-type: none"> • clear halogen lamp no. U-H7635 • 50 watts • 160,000 candlepower • 100 hours lamp life 	Chrome or Black Add -0002 to No. for Black Housing	2 3/4"	375
			3/4"	375R	
6" Spot	<ul style="list-style-type: none"> • clear halogen lamp no. U-7682 • 100 watts • 245,000 candlepower • 100 hours lamp life 	Chrome or Black Add -0002 to No. for Black Housing	2 3/4"	380	
		3/4"	380R		

THE BEAM® DECKLIGHTS



THE BEAM® decklights are designed for those applications where an interior control handle isn't possible or desirable. They feature an E-Z grip knob and a unit-mounted switch to provide aimable light when and where you want it.

THE BEAM decklights rotate through 360° horizontally and 180° vertically. There are five different mounting brackets to choose from, accommodating virtually any mounting surface. Lights with magnetic bracket, no. 7003, come complete with a 12' cord. There is a 3" round bracket, no. 7036, and a 2" square bracket, no. 7037, for use on flat horizontal surfaces. The clamp bracket, no. 7038, fits 1 1/8"-1 1/2" O.D. pipe, while the angle bracket, no. 7039, fits any flat vertical surface.

Heavy-duty chrome finish on non-corrosive materials make THE BEAM decklights ideal for marine applications.

THE BEAM® DECKLIGHTS

THE BEAM® DECKLIGHTS	TYPE	LAMP DESCRIPTION	HOUSING FINISH	BRACKET TYPE	PART NUMBER				
<p>5.6"</p> <p>7.8"</p> <p>5AG SERIES: 5" ROUND</p> <p>ANGLE BRACKET #7039: Fits any flat vertical surface A = 1 1/2"</p> <p>CLAMP BRACKET #7038: Fits 1 1/8"-1 1/2" O.D. pipe</p> <p>MAGNETIC BRACKET #7003: 95 lb. Pull Rating 3.0"</p>	5" Spot	<ul style="list-style-type: none"> clear spotlight lamp no. U-4405 30 watts 50,000 candlepower 100 hours lamp life 	Chrome	Angle	5AG-A				
		5" Flood		<ul style="list-style-type: none"> clear halogen lamp no. U-H7604 50 watts 100,000 candlepower 100 hours lamp life 	Chrome	Clamp	5AG-C		
				5" Spot & Flood with 3-Way Switch		<ul style="list-style-type: none"> clear floodlight lamp no. U-4406 35 watts 600 candlepower 300 hours lamp life 	Chrome	Magnetic	5AG-M
								Round	5AG-R
								Square	5AG-S
	6" Spot & Flood with 3-Way Switch		<ul style="list-style-type: none"> clear halogen lamp no. U-H7606 50 watts 1,000 candlepower 400 hours lamp life 					Chrome	Angle
		Clamp			5AG-C-H				
		Magnetic		5AG-M-H					
		Round		5AG-R-H					
		Square		5AG-S-H					
	6" Spot & Flood with 3-Way Switch	<ul style="list-style-type: none"> clear spot/flood combination lamp no. U-4700 100/100 watts 72,000/30,000 candlepower 25/25 hours lamp life 	Chrome	Angle	5AG-A-4406				
				Clamp	5AG-C-4406				
Magnetic				5AG-M-4406					
Round				5AG-R-4406					
Square				5AG-S-4406					
6" Spot & Flood with 3-Way Switch	<ul style="list-style-type: none"> clear spot/flood combination lamp no. U-4007 100/100 watts 200,000/50,000 candlepower 25/25 hours lamp life 	Chrome	Angle	5AG-A-4700					
			Clamp	5AG-C-4700					
			Magnetic	5AG-M-4700					
			Round	5AG-R-4700					
			Square	5AG-S-4700					
6" Spot & Flood with 3-Way Switch	<ul style="list-style-type: none"> clear spot/flood combination lamp no. U-4007 100/100 watts 200,000/50,000 candlepower 25/25 hours lamp life 	Chrome	Angle	AG-A-4007					
			Clamp	AG-C-4007					
			Magnetic	AG-M-4007					
			Round	AG-R-4007					
			Square	AG-S-4007					



THE BEAM® DECKLIGHTS



THE BEAM® DECKLIGHTS

THE BEAM® DECKLIGHTS	TYPE	LAMP DESCRIPTION	HOUSING FINISH	BRACKET TYPE	PART NUMBER
<p>AG SERIES: 6" ROUND</p> <p>ROUND BRACKET #7036</p> <p>SQUARE BRACKET #7037</p>	6" Spot	<ul style="list-style-type: none"> clear spotlight lamp no. U-4435 35 watts 75,000 candlepower 100 hours lamp life 	Chrome	Angle	AG-A
		<ul style="list-style-type: none"> clear halogen spotlight lamp no. U-H7635 50 watts 160,000 candlepower 100 hours lamp life 		Clamp	AG-C
				Magnetic	AG-M
				Round	AG-R
				Square	AG-S
			<ul style="list-style-type: none"> clear halogen spotlight lamp no. U-7682 100 watts 245,000 candlepower 100 hours lamp life 	Chrome	Angle
	Clamp	AG-C-H			
	Magnetic	AG-M-H			
	Round	AG-R-H			
	Square	AG-S-H			
	6" Flood	<ul style="list-style-type: none"> clear floodlight lamp no. U-4413 35 watts 1,100 candlepower 300 hours lamp life 			Chrome
			Clamp	AG-C-4413	
Magnetic			AG-M-4413		
Round			AG-R-4413		
Square			AG-S-4413		
<ul style="list-style-type: none"> clear halogen floodlight lamp no. U-H7609 50 watts 2,200 candlepower 400 hours lamp life 		Chrome	Angle	AG-A-H7609	
			Clamp	AG-C-H7609	
			Magnetic	AG-M-H7609	
			Round	AG-R-H7609	
			Square	AG-S-H7609	
			<ul style="list-style-type: none"> clear halogen floodlight lamp no. U-H7619 50 watts 6,000 candlepower 400 hours lamp life 	Chrome	Angle
Clamp		AG-C-H7619			
Magnetic	AG-M-H7619				
Round	AG-R-H7619				
Square	AG-S-H7619				



UNITY® has provided top quality emergency and auxiliary lighting products for over 80 years, and our post-mount spotlights have been the choice of the majority of police, fire and utility departments for decades.

UNITY®HID and THE BEAM® post-mount spotlights are the only emergency/auxiliary lighting products that offer the convenience and safety of instant aimable light when and where you want it. The interior control handle with fingertip switch provides 340° (UNITY®HID) or 360° continuous (THE BEAM®) horizontal rotation and up to 120° of vertical adjustment.

THE BEAM post-mount spotlights provide up to 245,000 candlepower per light, and combine searchlight, and take-down-light functions all in one powerful light for optimum safety and convenience. The halogen sealed beam lamps (6" round, 5" round, and 4"x6" rectangular) come in rugged housings that have heavy duty chrome plating, front and back, to provide unmatched performance, reliability and durability. They are available in universal fit series as well as custom-fit specific part numbers.

The new designer-styled 325/330 series 6" round spotlights feature a head assembly made of high impact ABS with a heavy-duty chrome finish. They are designed to compliment both modern and classic vehicles, provide long service life, and simplify bulb changes.

The 325 series features a 6" halogen lamp, no. U-H7635, providing 160,000 candlepower, 50 watts and 100 hours lamp life.

The upgrade 330 series features a 6" halogen lamp, no. U-7682, which utilizes an H3 bulb for availability and economy; it is rated at 245,000 candlepower, 100 watts and 100 hours lamp life. The lamp has a polycarbonate lens that is break resistant...virtually indestructible. The lens material contains a U.V. ray inhibitor to prevent clouding or yellowing. The 330 series has a sharper beam pattern with less glare.

There are pre-engineered installation kits, including specific mounting brackets, for both right hand and left hand applications. Typical mounting locations are illustrated on page 23 of this catalog. Specific ordering information by application is available on pages 24-52.

UNITY works closely with the OE vehicle manufacturers every year to ensure that their post-mount spotlights are available for today's new generation of police and fire/rescue vehicles, as well as passenger cars, light trucks, sport utility vehicles, and heavy-duty trucks. Both UNITY®HID and THE BEAM® post-mount spotlights are street legal, and are truly A BRIGHT IDEA FOR ANY VEHICLESM.



UNITY[®]HID SPOTLIGHTS

More Powerful Beam

The new 340 series of UNITY[®]HID High Intensity Discharge Spotlights can virtually turn night into day for maximum performance and safety. At 600,000 candlepower, they are 2.45-3.75 times as powerful as a 6" Halogen and 6 times as powerful as a 5" halogen light. They carry a 5 year warranty, so they shine brighter and last longer, the latest BRIGHT IDEA FOR ANY VEHICLESM from Unity!

UNITY[®]HID spotlights are rated at 600,000 candlepower each so you see better and work safer at night. HID spotlights have a whiter, brighter light (higher color temperature), which means color rendition is truer and closer to that in natural daylight. The beam pattern is a more clearly defined round spot, allowing higher intensity and maximum range.

Specially Designed Circuitry

Only 35 watts is needed to power UNITY[®]HID spotlights. The specially designed ballast, which mounts under the hood, maintains proper current to the bulb, and provides 'instant on' at 85% of the maximum beam power. This allows you to go to work at the flip of a switch... no waiting for warm up! Restarts instantly. The circuitry is a closed system that requires no additional wiring during installation or servicing: if you install and service our current spotlights, UNITY[®]HID spotlights require no additional expertise.



POST-MOUNT SPOTLIGHTS



Installation

The 340 series UNITY®HID spotlights can be installed as retro-fit upgrades to existing UNITY® THE BEAM® post-mount spotlights or as new installations. New installations require installation kits. Custom fit applications are also available in UNITY®HID models. The hi-voltage ballast (the black box on the firewall on the left in the illustration shown below) mounts easily under the hood on the firewall or inner fender. On retro-fit units, simply remove the existing head and shaft, leaving the interior handle wired, and install the new head and shaft through the existing shaft hole using the same mounting bracket. Reattach the handle, mount the ballast under the hood, and you're ready to experience 600,000 candlepower of white light.

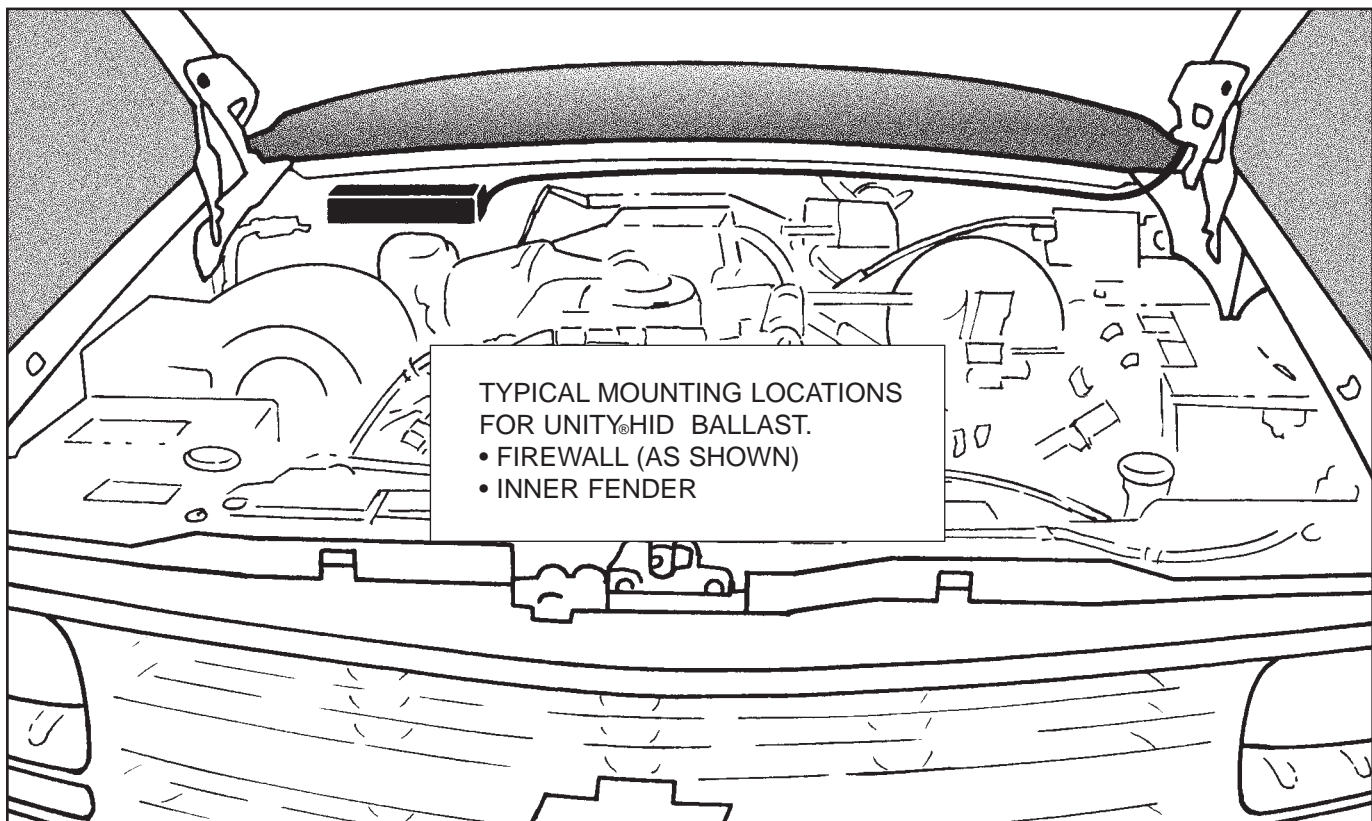
Operation

UNITY®HID spotlights come with an interior control handle providing instant, aimable light. They provide 340° of horizontal rotation and up to 120° of vertical adjustment so you are able to position the light where you need it.

Life

UNITY®HID bulbs are rated at 5,000 hours lamp life while most popular halogen spotlight bulbs are rated at 100 hours. The attractive heavy-duty chrome housing provides outstanding corrosion protection. A special plastic lens protects against damage, while the replaceable bulb minimizes the cost of ownership.

UNITY®HID SPOTLIGHTS





HOW TO INSTALL POST-MOUNT SPOTLIGHTS

Every year, when vehicle manufacturers introduce the new models for the coming year, UNITY's application engineers have already been hard at work behind the scenes determining exactly where post-mount spotlights can be safely mounted on these new vehicles.

We take into consideration all current applicable Federal Motor Vehicle Safety Standards, and select the mounting position that will make the spotlight most useful, aided by the experience gained in over 80 years in the emergency and auxiliary lighting business.

A template is then developed, and is included in the installation kit so that the attaching bracket may be properly mounted in the selected location. The bracket utilized, whether existing or new, will be one which provides the proper angle of entry and also provides a shaft hole that is parallel to the ground. A drill guide is also included in the installation kit, so that positioning and drilling the shaft hole is predetermined by the bracket. In addition to the bracket, template, and drill guide, the installation kit includes: mounting screws; gasket(s) when required; a wire clip; finish trim pieces for the vehicle interior; and outside door notch molding for select models.

Once the shaft hole has been properly drilled, the spotlight shaft is inserted through the hole, and the interior control handle is attached to the spotlight shaft. Lastly, wiring is completed and the final adjustments are made.

On UNITY®HID spotlights, you mount the specially designed ballast under the hood. The circuitry is a closed system that requires no additional wiring during installation.

During the original engineering mounting position process, the proper shaft length for the spotlight is determined, so that the interior control handle can move in the proper arc and not come in contact with the vehicle. At the same time, the handle position is one that is both easily accessible and safe *when the vehicle's occupants correctly utilize their seat belts!*

Roof-mount spotlights are installed in much the same fashion as post-mount spotlights. The major differences are that the shaft hole is drilled vertically straight through the roof, and universal brackets are included with the roof-mount spotlights so that separate installation kits are not required.

INSTALLATION GUIDES AVAILABLE

UNITY®HID and THE BEAM® post-mount spotlights can easily be installed by any D•I•Y or mechanic who follows the complete, illustrated instructions included with each installation kit.

In addition, UNITY has two VHS training videos that have been specifically designed to train individuals on the proper procedures used to install post-mount spotlights. They are designed for THE BEAM® but also apply to installing UNITY®HID spotlights. The only difference is in mounting the HID ballast under the hood.

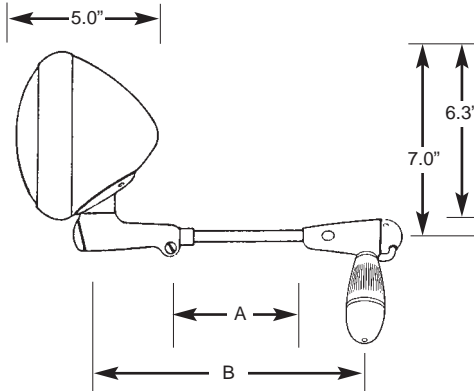
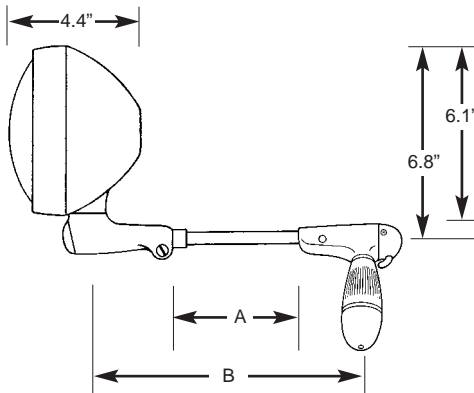
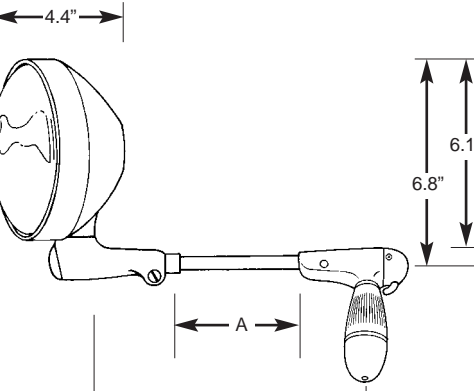
Video No. 3725 runs eleven minutes, and provides complete, step-by-step installation instructions for Do-It-Yourselfers and professional installers/mechanics.

Video No. 3726 runs six minutes, and provides training for vehicle manufacturing assembly line workers. Training begins when the vehicle arrives at the installation station with pre-drilled mounting screw and spotlight shaft holes. The instructions proceed step-by-step through spotlight installation on the vehicle, electrical hook-up, and final adjustments.



POST-MOUNT SPOTLIGHTS (SAE J591)



UNITY®HID POST-MOUNT SPOTLIGHTS	LAMP DESCRIPTION	HOUSING FINISH	PART NUMBER	SHAFT LENGTH (IN.)	
				A	B
 <p>6" ROUND: 340 SERIES</p>	<ul style="list-style-type: none"> • clear UNITY®HID spotlight lamp no. U-7693 • 35 watts • 600,000 candlepower • 5,000 hours lamp life 	Chrome	340A	6 1/2	12
			340B	4 3/4	10 1/4
			340C	10 5/8	15 1/2
			340CL	10	15 1/2
			340F	15 5/8	20 1/2
			340FP	17 5/8	22 1/2
			340G	14	19 1/2
			340GM	9	14 1/2
			340H	5 7/8	11 3/8
			340K	7 5/8	12 1/2
			340MS	18 7/8	23 3/4
			340N	4 1/4	9 1/8
			340OS	21 1/8	26
			340P	12 5/8	17 1/2
340PL	12	17 1/2			
340V	7 1/2	13			
THE BEAM® POST-MOUNT SPOTLIGHTS	LAMP DESCRIPTION	HOUSING FINISH	PART NUMBER	SHAFT LENGTH (IN.)	
 <p>6" ROUND: 330 SERIES</p>	<ul style="list-style-type: none"> • clear halogen spotlight lamp no. U-7682 • 100 watts • 245,000 candlepower • 100 hours lamp life 	Chrome or Black	330A	6 1/2	12
			330B	4 3/4	10 1/4
			330C	10 5/8	15 1/2
			330CL	10	15 1/2
			330F	15 5/8	20 1/2
			330FP	17 5/8	22 1/2
			330G	14	19 1/2
			330GM	9	14 1/2
			330H	5 7/8	11 3/8
			330K	7 5/8	12 1/2
			330MS	18 7/8	23 3/4
			330N	4 1/4	9 1/8
			330OS	21 1/8	26
			330P	12 5/8	17 1/2
330PL	12	17 1/2			
330V	7 1/2	13			
 <p>6" ROUND: 325 SERIES</p>	<ul style="list-style-type: none"> • clear halogen spotlight lamp no. U-H7635 • 50 watts • 160,000 candlepower • 100 hours lamp life 	Chrome or Black	325A	6 1/2	12
			325B	4 3/4	10 1/4
			325C	10 5/8	15 1/2
			325CL	10	15 1/2
			325F	15 5/8	20 1/2
			325FP	17 5/8	22 1/2
			325G	14	19 1/2
			325GM	9	14 1/2
			325H	5 7/8	11 3/8
			325K	7 5/8	12 1/2
			325MS	18 7/8	23 3/4
			325N	4 1/4	9 1/8
			325OS	21 1/8	26
			325P	12 5/8	17 1/2
325PL	12	17 1/2			
325V	7 1/2	13			

To order post-mount spotlights, check the application listing for the proper spotlight and bracket part numbers. A wide selection of custom-engineered mounting brackets, for both right hand and left hand applications, make installation simple for many vehicles by using UNITY® drill bit no. 6540, a 1/2" diameter, 22" long shank drill bit specially designed for post-mount spotlight installation. A replacement tip, no. 6541, is available for the no. 6540 drill bit.

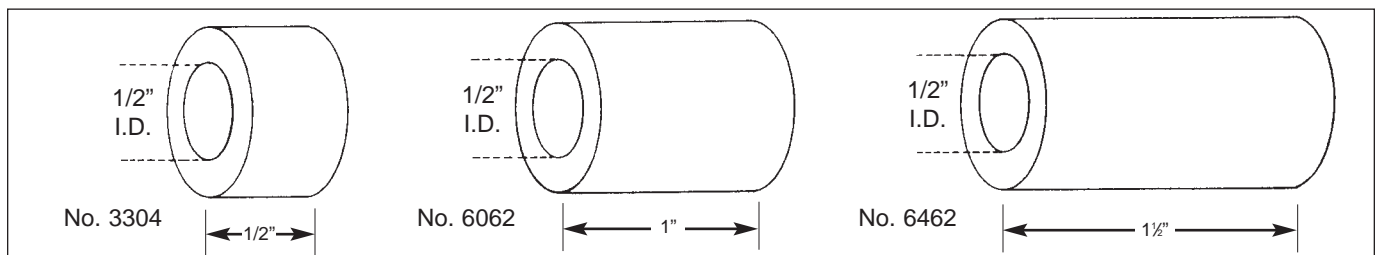


POST-MOUNT SPOTLIGHTS (SAE J591)

THE BEAM® POST-MOUNT SPOTLIGHTS	LAMP DESCRIPTION	HOUSING FINISH	PART NUMBER	SHAFT LENGTH (IN.)	
				A	B
<p>HEAD DEPTH = 4.6"</p> <p>5.0"</p> <p>5.8"</p> <p>4.1"</p> <p>5" ROUND: 250 SERIES</p>	<ul style="list-style-type: none"> • clear halogen spotlight lamp no. U-H7604 • 50 watts • 100,000 candlepower • 100 hours lamp life 	Chrome	250A-H	6 1/2	12
			250B-H	4 3/4	10 1/4
			250C-H	10 5/8	15 1/2
			250CL-H	10	15 1/2
			250F-H	15 5/8	20 1/2
			250FP-H	17 5/8	22 1/2
			250G-H	14	19 1/2
			250GM-H	9	14 1/2
			250H-H	5 7/8	11 3/8
			250K-H	7 5/8	12 1/2
			250MS-H	18 7/8	23 3/4
			250N-H	4 1/4	9 1/8
			250OS-H	21 1/8	26
			250P-H	12 5/8	17 1/2
			250PL-H	12	17 1/2
250V-H	7 1/2	13			
<p>6.6"</p> <p>3.3"</p> <p>4.3"</p> <p>4.1"</p> <p>4" X 6" RECTANGULAR: 264 SERIES</p>	<ul style="list-style-type: none"> • clear halogen spotlight lamp no. U-H9405 • 50 watts • 100,000 candlepower • 100 hours lamp life 	Chrome	264A	6 1/2	12
			264B	4 3/4	10 1/4
			264C	10 5/8	15 1/2
			264CL	10	15 1/2
			264F	15 5/8	20 1/2
			264FP	17 5/8	22 1/2
			264G	14	19 1/2
			264GM	9	14 1/2
			264H	5 7/8	11 3/8
			264K	7 5/8	12 1/2
			264MS	18 7/8	23 3/4
			264N	4 1/4	9 1/8
			264OS	21 1/8	26
			264P	12 5/8	17 1/2
			264PL	12	17 1/2
264V	7 1/2	13			

SPACERS

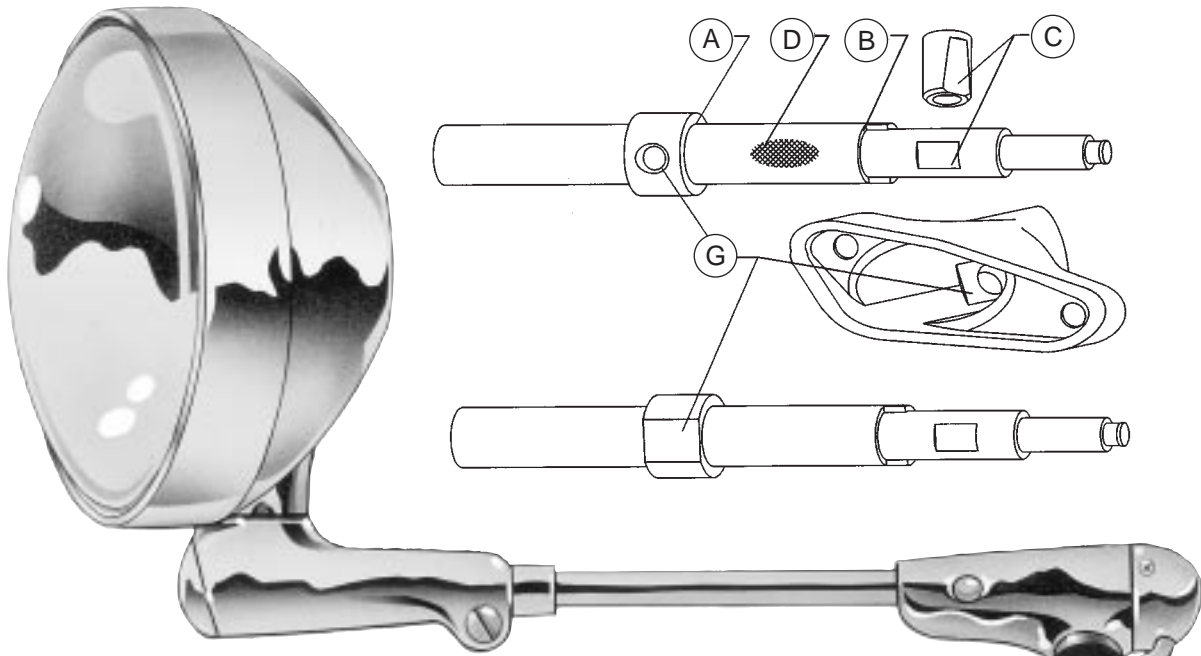
Some applications require the use of a spacer between the bracket and head housing to provide clearance for proper spotlight head rotation. A footnote accompanying the application will tell you when a spacer is needed and tell you which part number to order. These are not included in the installation kit and need to be ordered separately.



INSTALLATION TOOLS

INSTALLATION TOOLS	TOOL DESCRIPTION	PART NUMBER
	• 22" long shank • 1/2" diam., 118° split point drill bit with replaceable tip	6540
	• replacement tip for no. 6540 • 1/2" diam. 118° split drill bit	6541

CUSTOM FIT APPLICATIONS (covered in Application Listings on p.24-on)
 Now you can get spotlights that have vehicle specific features that improve the overall performance of your spotlight and make them easier to install.



ITEM	FEATURE	BENEFIT
A	Bushing is sweated to outside tube	<ul style="list-style-type: none"> • Lateral positioning is pre-set and fixed • Arc of spotlight head will remain correct for the life of the vehicle
B	Outside tube notch is specifically made for a particular vehicle	<ul style="list-style-type: none"> • The arc travel of the spotlight head is maximized for a particular vehicle providing maximum elevation of the spotlight beam • Head will not come in contact with vehicle body
C	Flat on intermediate tube and flat wedge design	<ul style="list-style-type: none"> • Head to handle orientation is pre-set and fixed • Handle can only be installed in correct position • Electrical continuity is maintained between the switch and shaft contact even if wedge screw loosens
D	New nickel coating on intermediate tube and rod & gear	<ul style="list-style-type: none"> • Prevents freeze-ups of shafts due to condensation
E	OEM lead wire (not illus.)	<ul style="list-style-type: none"> • Simplifies installation of spotlight
F	All parts, instructions, templates included (not illus.)	<ul style="list-style-type: none"> • Simplifies installation of spotlight
G	Dimple or flat design on shaft and bracket	<ul style="list-style-type: none"> • Bracket designed to accept sweated bushing for simplified installation and precise positioning

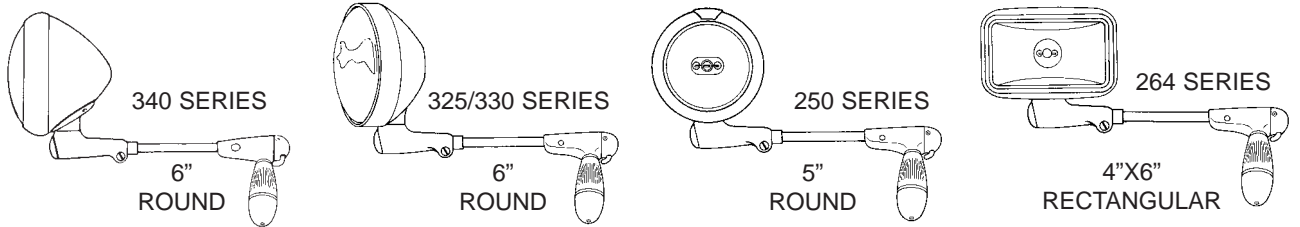


HOW TO USE APPLICATION LISTINGS

USING THE APPLICATION LISTING FOR POST-MOUNT SPOTLIGHTS:

1. Find the vehicle listing in the INDEX on the facing page, and turn to the page number indicated for that make.
2. Locate the specific make, year and model required.
3. The mounting location indicates the engineered mounting location for each application (see below).
4. The first 5 columns of each right hand page provide the correct spotlight part numbers for each application. First choose the style of spotlight desired (see illustrations below).
5. The last 2 columns on each right hand page provide the installation kit numbers for left hand and right hand installations, where applicable.

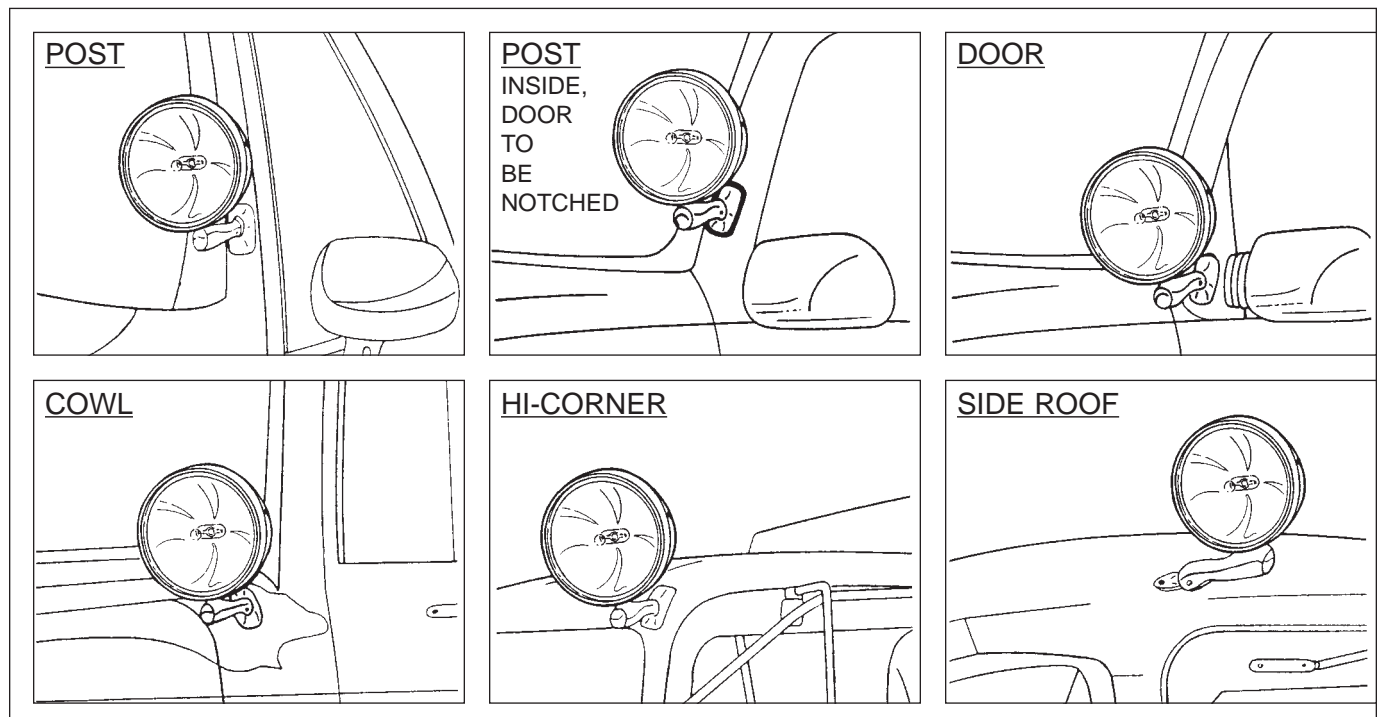
POST-MOUNT SPOTLIGHTS				POST-MOUNT SPOTLIGHTS							
MAKE	YEAR	MODEL	MOUNTING LOCATION	INCL. INST. KIT	600,000 CP CHROME 6" DIA. HD PART NO.	200,000 CHROME 6" DIA. PART NO.	100,00 CP CHROME 5" DIA. PART NO.	100,000 CP CHROME 5" DIA. PART NO.	100,000 CP CHROME 4" X 6" DIA. PART NO.	INST. KIT LH (DRIVER) PART NO.	INST. KIT RH (PASS.) PART NO.
ACURA	1999-07	IL CROSS (22)	POST		340V	330V	325V	250VH	264V	189	—
	1999-95	INTEGRA (22)	POST		340V	330V	325V	250VH	264V	208	—
	1999-96	BL SEDAN (41/10/22)	POST		340GM	330GM	325GM	250GMH	264GM	221RH	—
Audi	1989-80	EAGLE	POST		340V	330A	325A	250AH	264A	189	189RH
	1995-93	100 SERIES	POST		340V	330V	325V	250VH	264V	189	189RH
Audi	1995-93	90 SERIES	POST		340V	330V	325V	250VH	264V	189	189RH
	1999-96	A4 (22)	POST		340V	330V	325V	250VH	264V	189	189RH
	1999-97	A6 SERIES	POST		340V	330V	325V	250VH	264V	189	189RH
	1999	A8 V8 (20N)	POST		340V	330V	325V	250VH	264V	189	189RH
	1997-94	CABRIOLET	DOOR		340V	330V	325V	250VH	264V	189	189RH
	1995-92	QUATTRO	POST		340V	330V	325V	250VH	264V	189	189RH
	1994-92	S4	POST		340V	330V	325V	250VH	264V	189	189RH
	1995	S6	POST		340V	330V	325V	250VH	264V	189	189RH
	1995-93	A SERIES	POST		340V	330V	325V	250VH	264V	189	189RH



CUSTOM-FIT LIGHTS ARE ALSO AVAILABLE IN THESE STYLES.

TYPICAL LOCATIONS

NOTE: These illustrations depict typical locations for mounting 'post-mount' spotlights. They are intended to serve as a quick reference, general guide ONLY! The Application Listing gives the mounting location for each specific application, and the customer/installer MUST use the template, which is included with the proper installation kit for the vehicle, for the EXACT mounting location and instructions.



UNITY



UNITY
MFG.

COMPANY has been an innovative prime manufacturer of automotive, truck and emergency vehicle lighting products for over 80 years.

Started in 1918 on Chicago's south side, UNITY evolved into single private ownership under Henry Rue Gross in 1923.

Production of post-mount spotlights started in the mid-1920's, and today UNITY is the world's largest manufacturer of post-mount spotlights.

In the 1930's, UNITY expanded into the manufacture of automotive and heavy-duty truck road lights.

Shortly after moving into their 160,000 sq. ft. facility in 1960, UNITY was able to expand into the manufacture of emergency lighting products for police, fire and other emergency vehicles.

As a major OEM supplier of both auxiliary and emergency lighting products UNITY manufactures its products in its own Chicago-based factory, with in-house capabilities including CAD design, prototyping, stamping, machining, gear cutting, chrome plating, buffing/polishing,

wire harness and assembly. Their quality system has been certified to meet the requirement of QS-9000 and ISO-9001.



As an aftermarket supplier, UNITY maintains a highly trained customer service department, responsive field representatives, and a wide assortment of popular products for on-time shipments.

UNITY's commitment is to produce professional quality products that exceed customer expectations...to achieve the highest level of quality while providing their customers with exceptional value.

The current UNITY® product line includes: NITE-EYES™ foglights, driving lights, off-road lights, and work lights; UNILITE™ hand-held spotlights; UNIBEAON™ 360° rotating warning lights; THE

BEAM® rooflights, decklights and post-mount spotlights; and custom wiring harnesses.

UNITY lighting products, truly 'A BRIGHT IDEA FOR ANY VEHICLE' SM.