



# NITE-EYES™ Worklight

Part No.: 565-1 or 566-1 - Chrome  
Part No.: 585-1 or 586-1 - Black

## A BRIGHT IDEA... FOR ANY VEHICLE!™

- Utilities
- Wreckers
- Construction
- Industrial
- Public Works
- Police, Fire, and Ambulance
- Agriculture
- Recreation
- Heavy-Duty Trucks
- Railroad
- Marine
- Camping/RV
- Farming

## FOR ADDITIONAL INFORMATION

Visit us at

[www.unityusa.com](http://www.unityusa.com).

Information available on:

- The company
- Products
- Replacement parts
- Mounting templates
- Installation instructions
- Distributor Search
- Application Search



585-1



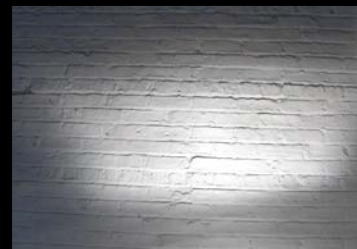
566-1

Unity Manufacturing has provided top quality emergency and auxiliary lighting products since 1918. Unity's Rectangular Worklights come in a rugged, high-impact ABS housing to provide unmatched performance, reliability, and durability. The Worklight utilizes either a U-H9406 (wide flood) or a U-H9411 (trapezoidal flood) clear halogen flood lamp. The U-H9406 is rated at 1,350 candlepower, 50 watts, and 400 hours lamp life. The U-H9411 is rated at 5,400 candlepower, 50 watts, and 400 hours lamp life. Unity's Worklights provide added safety illuminating the work area offering greater visibility. They are great for any working truck including utilities, wreckers, construction, industrial, public works, police & fire, agriculture, and recreation vehicles.

## DURABLE

- **Designed to pass leading OEM shaker and 1,000,000 mile durability tests!**
- **High impact ABS housing will not rust or corrode!**
- **Lamps are cushioned to dampen vibration for longer bulb life!**
- **Stainless Steel brackets and fasteners will not corrode!**

## BEAM PATTERNS



Wide Flood Beam (U-H9406)



Trapezoidal Flood Beam (U-H9411)

NITE-EYES™ contain a GE sealed beam, part number H9406 or H9411. The trapezoidal beam shape is specially designed to elongate and provide controlled light while the wide flood provides light that spreads out all over. Both lamps will really illuminate your work area!

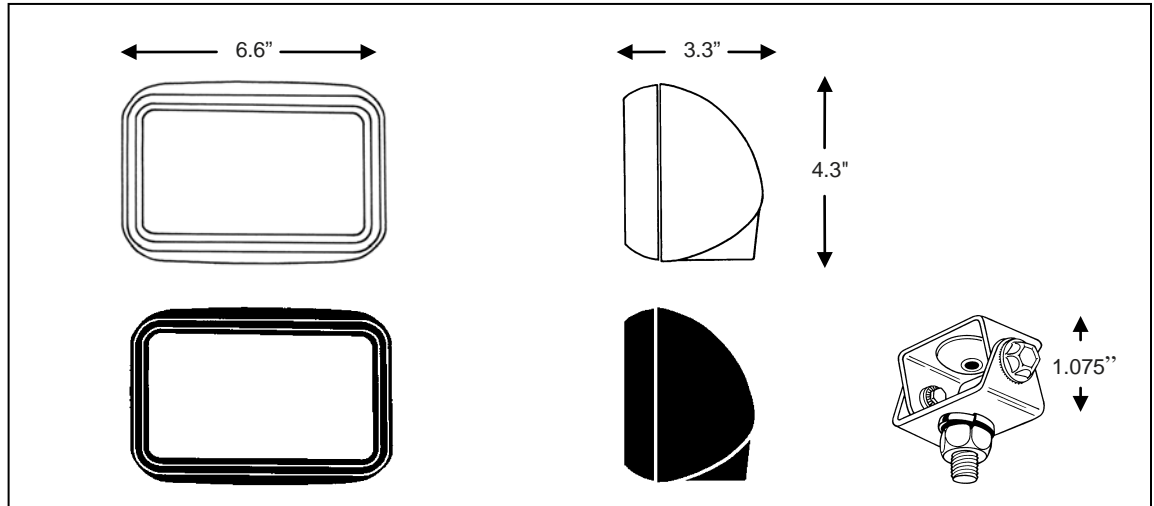




# NITE-EYES™ Worklight

Part No.: 565-1 or 566-1 - Chrome  
Part No.: 585-1 or 586-1 - Black

## Dimensions



The Worklight, Part # 565-1 and 585-1 is 6.6" Wide X 4.3" High X 3.3" Deep. The light measure 5.375" high with the bracket from the mounting surface to the top of the light. The light comes with a swivel bracket that has an adjustment of  $\pm 80^\circ$ .

## REPLACEMENT PARTS

- 3605 Mounting Bracket
- 3672 Black Housing
- 3673 Chrome Housing
- 3667 Black Ring with Clip
- 3668 Chrome Ring with Clip
- U-H9406 Clear Halogen Lamp
- U-H9411 Clear Halogen Lamp

## OTHER UNITY®

### PRODUCTS

#### THE BEAM®

- Post-Mount Spotlights
- Rooflights
- Decklights

#### UNITY®HID

- Post-Mount Spotlight

#### NITE-EYES™

- Foglights
- Passing Lights
- Driving Lights
- Off-Road Lights
- Worklights

#### UNILITE™

- Hand-Held Spotlight

#### UNIBEACON™

- Rotating Warning Lights

#### EYE BEAM™

- Spotlight and Officer Warning System

| Part No. | Description                    | Part No. | Description                    |
|----------|--------------------------------|----------|--------------------------------|
| 565-1    | 4" x 6" WORKLIGHT-TRAP-CHROME  | 585-1    | 4" x 6" WORKLIGHT-TRAP-BLACK   |
| 566-1    | 4" x 6" WORKLIGHT-FLOOD-CHROME | 586-1    | 4" x 6" WORKLIGHT-FLOOD-CHROME |

## Specification

| FEATURE          | SPECIFICATION  |
|------------------|--|
| Housing Material | 4" x 6" rectangular high impact ABS plastic  |
| Finish           | Chrome or Black finish   |
| Lamp/Bulb        | Clear Halogen lamp no. U-H9406, 50 Watts, 400 hours lamp life.<br>Clear Halogen lamp no. U-H9411, 50 Watts, 400 hours lamp life. |
| Dimensions       | 6.6" Wide X 3.3" Deep X 5.375" High (mounting surface to top of light)   |
| Voltage          | 12.8 Volts   |
| Amperage         | 3.9 Amps   |
| Candlepower      | 1,350 CP (wide flood) or 5,400 CP (trapezoid)  |
| Bracket          | 3605 Universal Mounting Bracket  |
| Wiring           | 60" wire with bullet terminal  |

## Features

- ABS Hi-Impact Plastic
- Clear halogen Sealed Beam Lamp
- 5,400 CP
- Swivel Bracket ( $\pm 80^\circ$  Adjustable)
- 60" wire with bullet terminal
- Wide Flood and Trapezoidal Beam



Unity Manufacturing Co.  
1260 N. Clybourn Ave.  
Chicago, IL 60610  
Phone: 312-943-5200  
Fax: 312-943-5681  
E-mail: [info@unityusa.com](mailto:info@unityusa.com)  
Form: 143-WLR 2/10