

# THE BEAM® Post-Mount Spotlight

## Part No.: 330 Series Chrome 330-0002 Series Black

### A BRIGHT IDEA... FOR ANY VEHICLE!™

- Utilities
- Wreckers
- Construction
- Industrial
- Public Works
- Police, Fire, and Ambulance
- Agriculture
- Recreation
- Heavy-Duty Trucks
- Railroad
- Marine
- Camping/RV
- Farming

### FOR ADDITIONAL INFORMATION

Visit us at

[www.unityusa.com](http://www.unityusa.com).

Information available on:

- The company
- Products
- Replacement parts
- Mounting templates
- Installation instructions
- Distributor Search
- Application Search



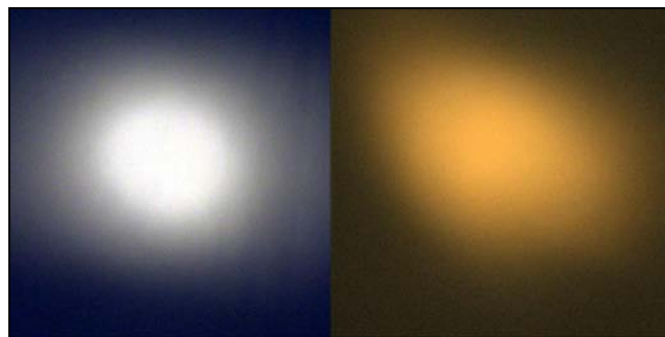
### See Better and Work Safer at Night!

- Instant aimable light when and where you want it!
- Bright light virtually turns the night into day!
- Easy to install on any work truck!

Unity Manufacturing has provided top quality emergency and auxiliary lighting products since 1918. Unity's Post-Mount Spotlight comes in a rugged, high-impact ABS Chrome or Black housing to provide unmatched performance, reliability, and durability. The Spotlight utilizes an H3 bulb for availability and economy, which is rated at 245,000 candlepower, 100 watts, and 100 hours lamp life. The lamp has a polycarbonate lens that is break resistant, virtually indestructible, and contains a U. V. ray inhibitor to prevent clouding or yellowing. The instantly aimable light is easy for anyone to use. Whether you need additional light to illuminate your work area, to help you find street signs or house numbers, or to follow the path of a broken power line, the post-mount spotlight is the perfect lighting accessory for any work truck.

### More Light Means More Safety!

- Brighter (245,000 CP)
- Whiter
- Tighter/Controlled Beam
- Reduced Glare



Unity Light

Conventional Light

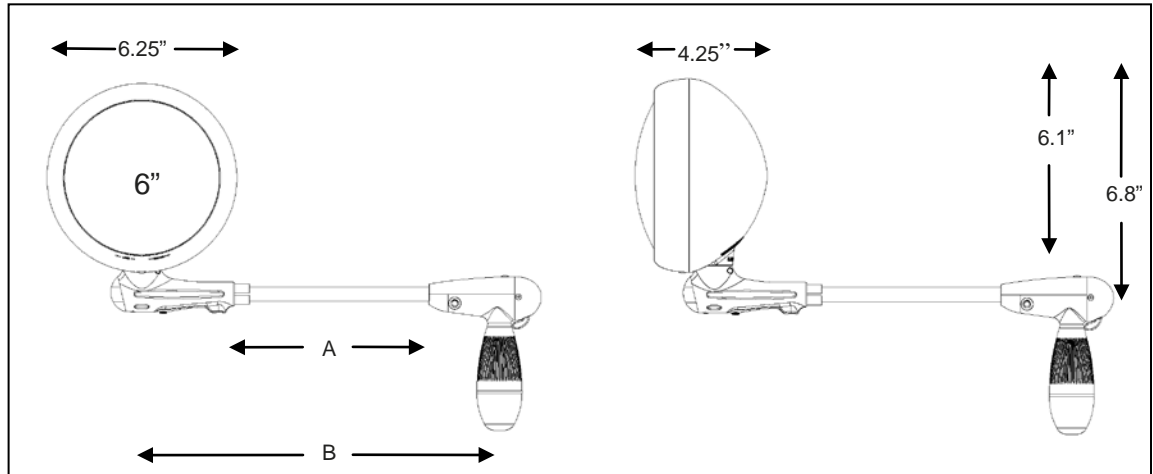


# THE BEAM® Post-Mount Spotlight

## Part No.: 330 Series Chrome

## 330-0002 Series Black

### Dimensions



Part #	A	B	Part #	A	B	Part #	A	B
330A	6 1/2	12	330FP	17 5/8	22 1/2	330N	4 1/4	9 1/8
330B	4 3/4	10 1/4	330G	14	19 1/2	330O	8	13 1/2
330C	10 7/8	15 1/2	330GM	9	14 1/2	330OS	21 1/8	26
330CL	10	15 1/2	330H	5 7/8	11 3/8	330P	12 7/8	17 1/2
330DC	10 1/2	16	330K	7 5/8	12 1/2	330PL	12	17 1/2
330F	15 7/8	20 1/2	330MS	18 7/8	23 3/4	330V	7 1/2	13
330FL	17	22 1/2						

### Specification

FEATURE	SPECIFICATION
Housing Material	6" round high impact ABS plastic
Finish	Black or chrome finish
Lamp/Bulb	Replaceable 100 W H3 Bulb with 100 hours lamp life in a lamp with a polycarbonate lens that contains U.V. ray inhibitor.
Dimensions	Head: 6.25" W x 6.1" H x 4.25" D
Voltage	13.2 Volts
Amperage	7.58 Amps
Candlepower	245,000 CP (SAE Test Results)
Bracket	Installation brackets are sold separately and fit specific vehicles based on make, model, and year of the vehicle.
Wiring	36" wire

### Features

- ABS Hi-Impact Plastic
- Polycarbonate Lens
- Replaceable 100 W H3 Bulb
- 245,000 CP
- Installation Kits sold separately and fit specific makes, models, and year. Visit [www.unityusa](http://www.unityusa) for application guide.
- Sharp Beam with less glare



Unity Manufacturing Co.  
 1260 N. Clybourn Ave.  
 Chicago, IL 60610  
 Phone: 312-943-5200  
 Fax: 312-943-5681  
 E-mail: [info@unityusa.com](mailto:info@unityusa.com)  
 Form: 143-S 3/10

### REPLACEMENT PARTS

- 5547-0017 Chrome Shell
- 5547-0019 Black Shell
- 8173 Chrome Ring
- 8173-0002 Black Ring
- U-6701-0101 Handle Assembly
- U-7682 Lamp Assembly
- U-H3-100W Bulb

### OTHER UNITY® PRODUCTS

#### THE BEAM®

- Post-Mount Spotlights
- Rooflights
- Decklights

#### UNITY®HID

- Post-Mount Spotlight

#### NITE-EYES™

- Foglights
- Passing Lights
- Driving Lights
- Off-Road Lights
- Worklights

#### UNILITE™

- Hand-Held Spotlight

#### UNIBEACON™

- Rotating Warning Lights

#### EYE BEAM™

- Spotlight and Officer Warning System